



DARLINGTON FIRE DEPARTMENT

HALIFAX, NC

SO146246 - Q120184

PUMPER

2 DOOR FREIGHTLINER M2 112 4X2 CHASSIS

1500 GPM HALE QMAX PUMP	HOSE LOAD:
1220 GALLON WATER TANK	200' OF 2.50" DJ
30 GALLON INTEGRAL CLASS "A" FOAM	300' OF 3.00" DJ
	1000' OF 5.00" LDH

COMPT.	OPENING	INTERIOR DIMENSION			
L1/R1	46W 59H	48W 3H 12D	UPPER		
		48W 56H 26D	LOWER		
L2	54W 25H	56W 3H 12D	UPPER		
		56W 22H 26D	LOWER		
R2	31W 25H	33W 3H 12D	UPPER		
		33W 22H 26D	LOWER		
L3/R3	46W 59H	48W 3H 12D	UPPER		
		48W 56H 26D	LOWER		
B1	36W 52H	38W 61H 26D			

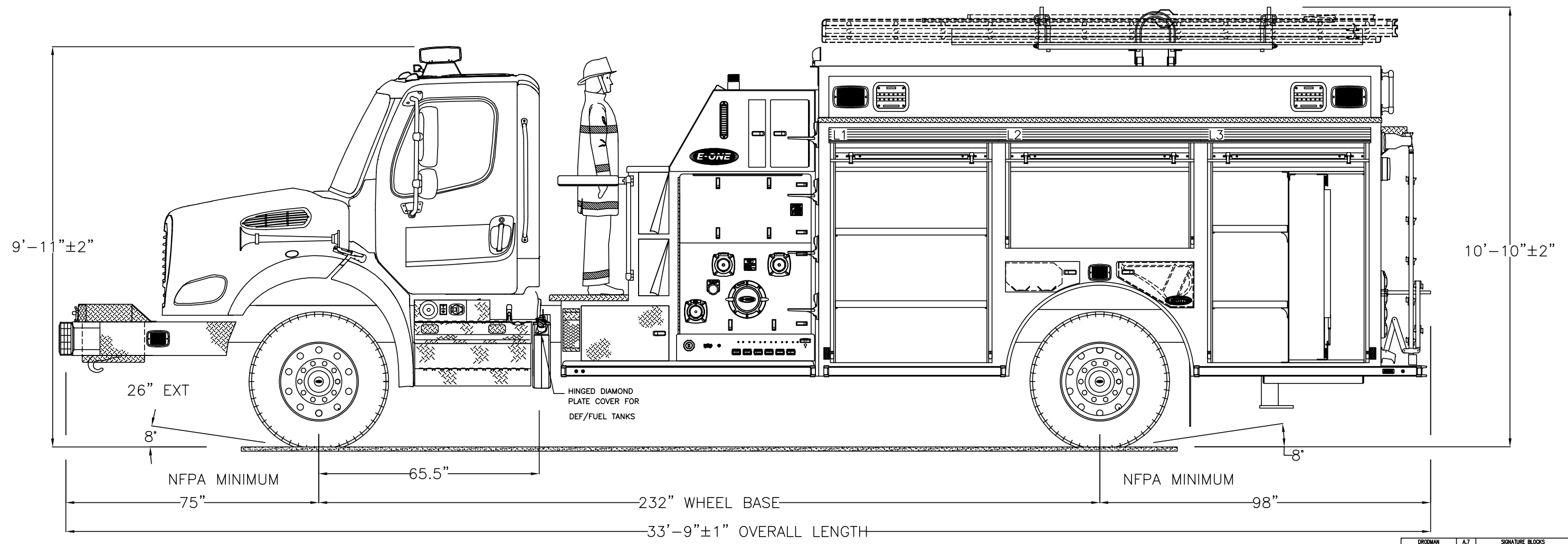
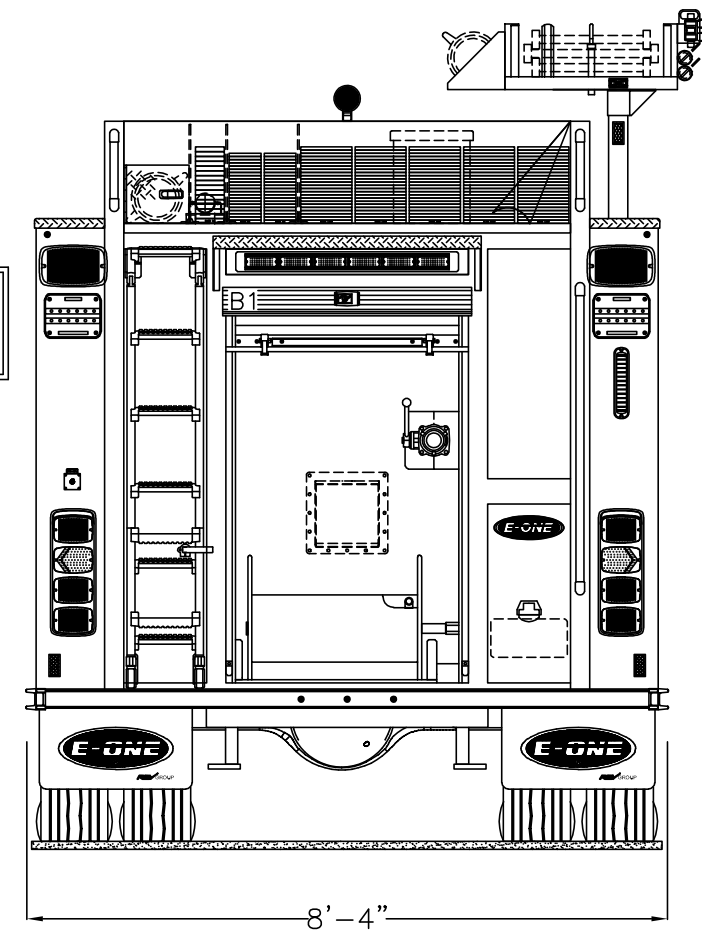
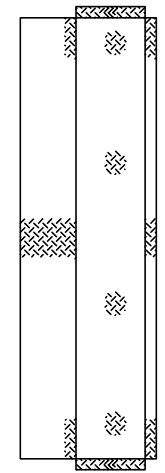
THIS DRAWING IS FOR REFERENCE PURPOSES. ALL DIMENSIONS ARE SUBJECT TO MINOR VARIATIONS DUE TO MANUFACTURING PROCESSES.

(FOR INTERNAL SALES PURPOSES ONLY)

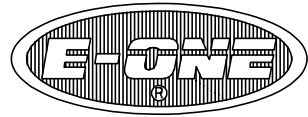
DEALER APPROVAL _____ DATE _____ AS IS

CUSTOMER APPROVAL _____ DATE _____ WITH REVISIONS

HOSEBED HEIGHT:
(FOR REFERENCE ONLY)
TO TAILBOARD: 73"
TO GROUND: 97±2"



DROWMAN	A.7	SIGNATURE BLOCKS	2023-NOV-10	DROWMAN
DRAWN BY	REV	DESCRIPTION	DATE	APPROVED
APPROVAL REVISIONS				SHEET 1 OF 2



DARLINGTON FIRE DEPARTMENT HALIFAX, NC

SO146246 - Q120184

PUMPER

2 DOOR FREIGHTLINER M2 112 4X2 CHASSIS

THIS DRAWING IS FOR REFERENCE PURPOSES. ALL DIMENSIONS ARE
SUBJECT TO MINOR VARIATIONS DUE TO MANUFACTURING PROCESSES.

(FOR INTERNAL SALES PURPOSES ONLY)

DEALER APPROVAL _____

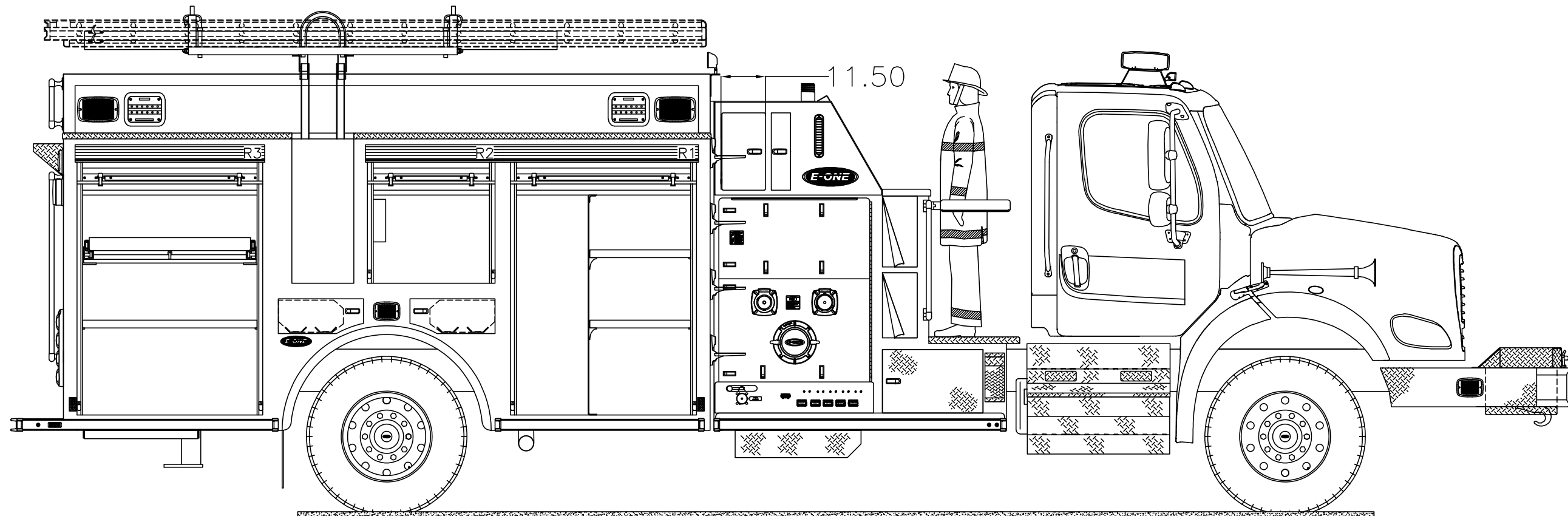
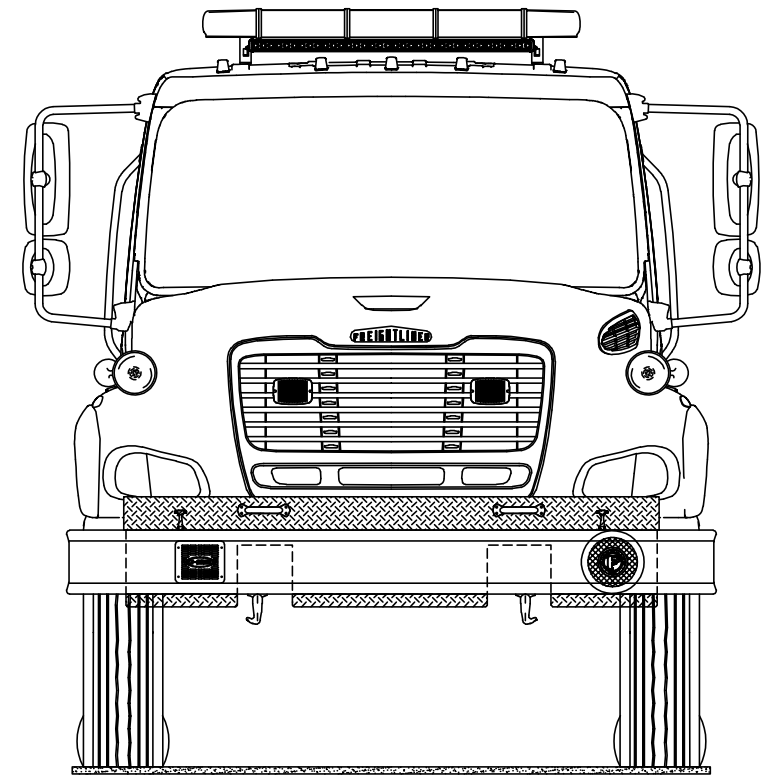
DATE _____

AS IS

CUSTOMER APPROVAL _____

DATE _____

WITH REVISIONS



DROGMAN	A.7	SIGNATURE BLOCKS	2023-NOV-10	DROGMAN
DRAWN BY	REV	DESCRIPTION	DATE	APPROVED
		APPROVAL REVISIONS		SHEET 2 OF 2